

ophthalmic unit

# DAISY Compact

**Description:**

Sliding table top for two instruments.

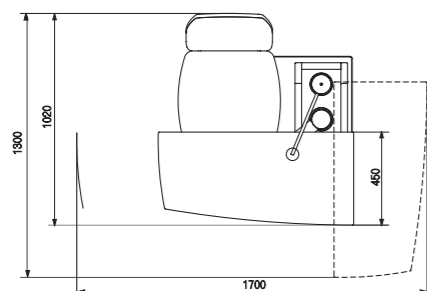
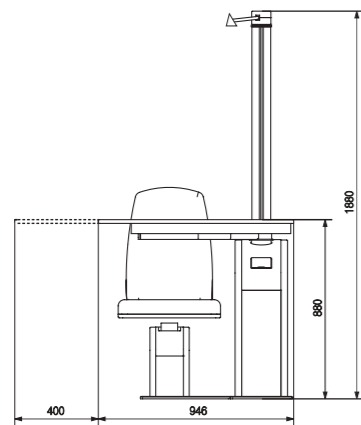
Security protection of patient's legs.

Range of chair up & down movement of 150 mm.

**Options:**

Left version, phoropter arm, projector shelf, projector arm, chin rest adapter mounted to the frame, chin rest adapter mounted to the table top, cable carrier 230 V.

patient chair up&down movement controlled by footswitch



Technical features	
Angle of table top arm rotation	90 deg
Loading capacity	50 kg
Halogen lamp on the column	1 x 35 W
Weight (w/o chair)	180 kg
Voltage (standard)	230V / 50Hz
Maximum power consumption	400 VA

[www.optopol.com](http://www.optopol.com)

ophthalmic units

OPTOPOL Technology S.A.  
 ul. Żabia 42, 42-400 Zawiercie, POLAND  
 Tel/Fax: +48 32 6709173  
 info@optopol.com.pl



Local Distributor:

## ophthalmic unit POPPY 2P

### Description:

Sliding table top for two instruments.

Security protection of patient's legs.

Range of chair up & down movement of 150 mm.

Range of table top up & down movement of 100 mm (option).

Automatic power control with power only to the instrument at patient position.

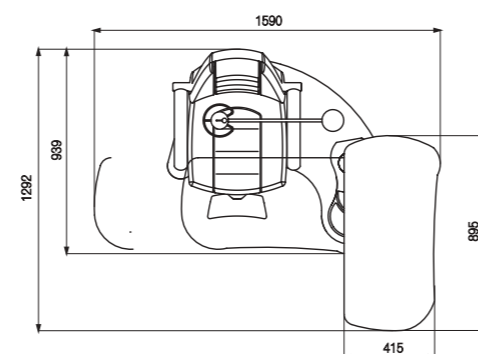
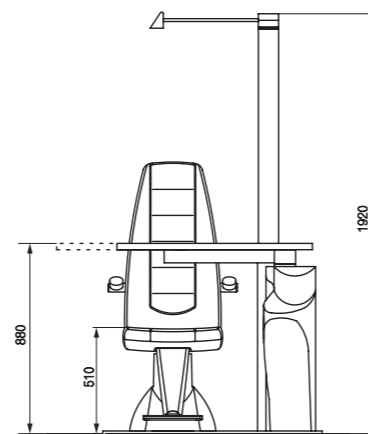
Two control panels for easier access to functions.

### Options:

Up & down movement of the table top and possibility to lock the rotation of the arm in every position for examination of wheelchair patient, arm for drawer for a set of 232 lenses, version with angular table top, left version, phoroptor arm, projector shelf, projector arm, electrical movement of the chair back & forth, chin rest adapter mounted to the frame, chin rest adapter mounted to the table top, cable carrier 230 V, additional desk.

### Technical features:

Angle of table top arm rotation	90 deg
Loading capacity	60 kg
Halogen lamp on the column	1 x 35 W
Weight (w/o chair)	130 kg
Voltage (standard)	230V / 50Hz
Maximum power consumption	600 VA



## ophthalmic unit IRIS

### Description:

Sliding table top for two instruments.

Security protection of patient's legs.

Range of chair up & down movement of 150 mm

Range of table top up & down movement of 200 mm (option).

Range of phoroptor arm up&down of 200 mm (option).

Automatic power control with power only to the instrument at patient position.

Additional drawer.

Unique design for phoroptor arm.

### Options:

Left version, phoroptor arm for Iris, phoroptor arm, projector shelf, projector arm, chin rest adapter mounted to the frame, chin rest adapter mounted to the table top, cable carrier 230 V.

### Unique feature

of disconnection of patient chair to facilitate examination of wheelchair patients. Electrically controlled up&down movement of phoroptor arm and table top.

### Technical features:

Angle of table top arm rotation	90 deg
Loading capacity	50 kg
Halogen lamp on the column	35 W
Weight of the unit main body (w/o patient chair)	197 kg
Weight of patient chairy (model 614)	81 kg
Voltage	230V / 50Hz
Maximum power consumption	600 VA

