

Model: **BR-7**
Refractor



SHIN-NIPPON

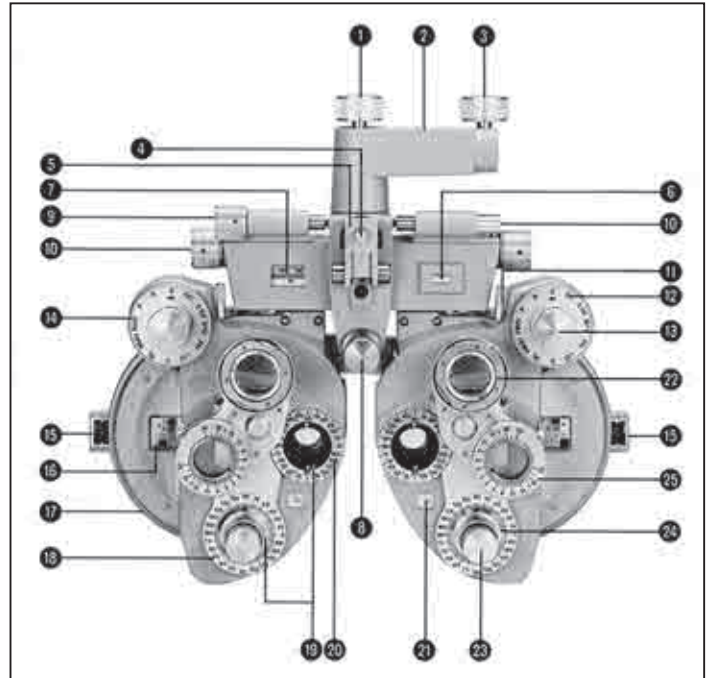
SHIN-NIPPON

REFRACTOR

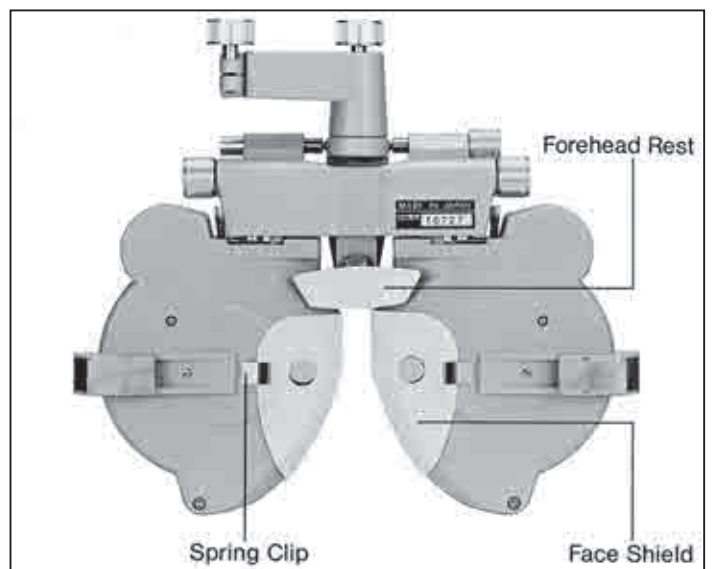
Model: BR-7

Specifications

Sphere power	Range: +16.75 to -19.00 dioptres Step: 0.25 diopters
Cylinder power	Range: 0.00 to -6.00 diopters (0.00 to -8.00 diopters with additional lens of -2.00 diopters) Step: 0.25 diopters
Cylinder axis	0 to 180°, 5° steps
Cross cylinder	±25 diopters
Rotary prisms	0△ to 20△, 1△ steps
Auxiliary lens dial	(O) - Open aperture (two positions) (R) - Retinoscopic lens, +1.50D (P) - Polarizing lens 45° -left eye 135° -right eye (WMV) or (RMV)-Maddox rod, vertical white-left eye red -right eye (WMH) or (RMH)-Maddox rod, horizontal white-left eye red -right eye (RL)-Red lens (+.12)- +0.12D sphere (PH)-Pin hole (10△I) or (6△U)-10△ base-in-left eye 6△ base-up-right eye (Dissociating prisms) (±.50)-±0.50 fixed cross cylinder (OC)-Occluder
P.D. adjustment	48 ~ 75 mm, 1 mm steps
Standard accessory lenses	Two -1.2D and -2.00 cylinder lenses, two plano lenses for sealing front opening
Standard accessories	1 near point card with holder and reading rod, dust cover, face shield, accessory case for lenses
Dimensions	318X293X96 (mm)
Net weight	Approx. 4.5 kg
Standard color	Black or honey gray



- ① Rotation Adjustment Knob
- ② Mounting Bracket
- ③ Tilt Clamp Knob
- ④ Reading Rod Clamp Screw
- ⑤ Reading Rod Holder
- ⑥ Spirit Level
- ⑦ P.D. Scale
- ⑧ Forehead Rest Knob
- ⑨ Leveling Knob
- ⑩ P.D. Knob
- ⑪ Vergence Lever
- ⑫ Auxiliary Lens Scale
- ⑬ Auxiliary Lens Knob
- ⑭ Strong Sphere Control
- ⑮ Corneal Aligning Device
- ⑯ Sphere Power Scale
- ⑰ Weak Sphere Dial
- ⑱ Cylinder Axis Scale
- ⑲ Cylinder Axis Indicators
- ⑳ Cylinder Axis Reference Scale
- ㉑ Cylinder Power Scale
- ㉒ Cross Cylinder Unit
- ㉓ Cylinder Power Knob
- ㉔ Cylinder Axis Knob
- ㉕ Rotary Prism Unit



Design and specifications are subject to change without notice.

AJINOMOTO®

AJINOMOTO TRADING, INC.

SHIN-NIPPON Medical & Ophthalmic Instruments Dept.
EAST WING 7F, TFT BUILDING, 3-1-22 ARIAKE, KOTO-KU,
TOKYO 135-8071, JAPAN

TEL: 813-3528-4416 FAX: 813-3528-4426

<http://www.shin-nippon.jp> <http://www.ajitrade.com>



Distributed by